



## PRODUCT INTRODUCTION

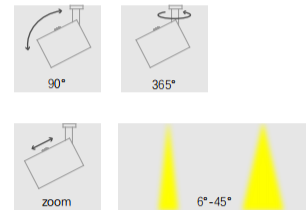
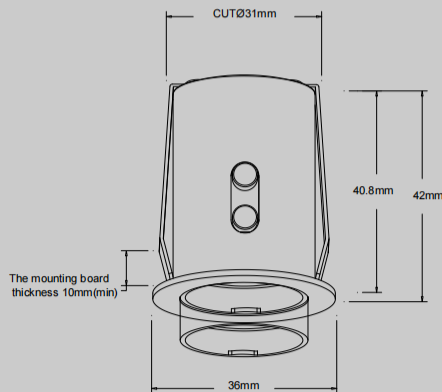
V28 Summit, it is the extension of Infinity range with the recessed mounting, is widely used in articles of luxury, museum, shopping areas, especially in showcase. Zoom beam angle with 3-8°, 6-45° is particularly flexible for the lighting design, and it is the best solution to highlight details in exhibition niches, to catch the viewer's attention.

## SPECIFICATION

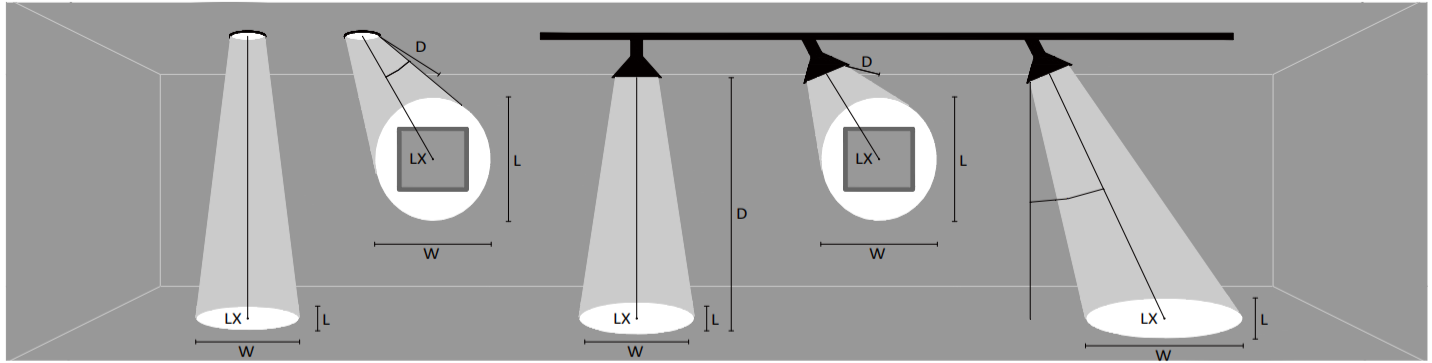
Wattage : 1W / 2W / 3W  
 Color temperature : 2700K / 3000K / 4000K  
 CRI : Ra95 (R9>90)  
 Beam angle : 6-45°  
 Adjusted by zoom lens control device  
 Driver : Input voltage DC3V 700mA(MAX)  
 Dimming : 0/1-10V , DALI , TRIAC , CASAMBI

## FEATURES

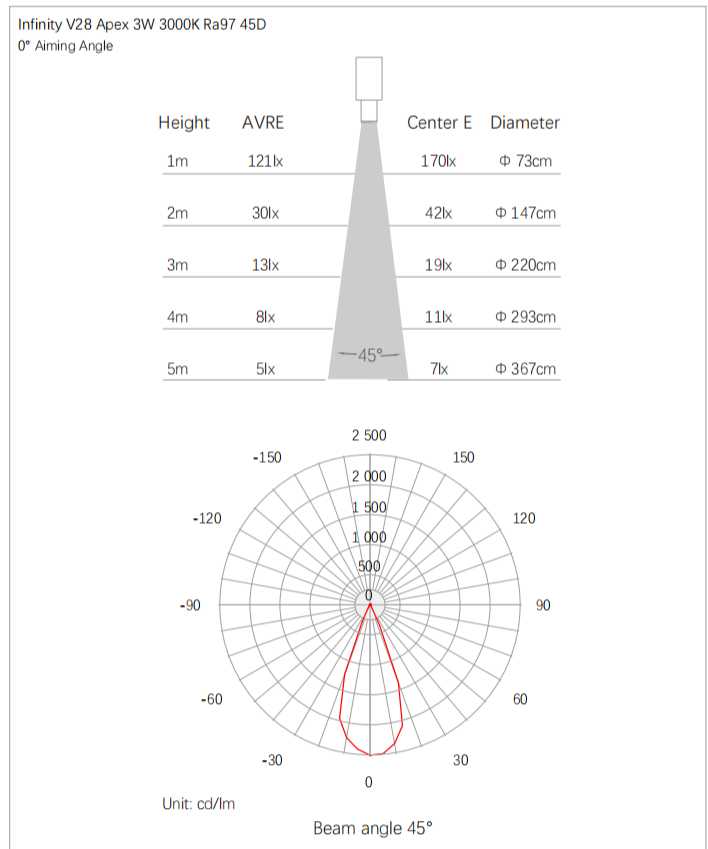
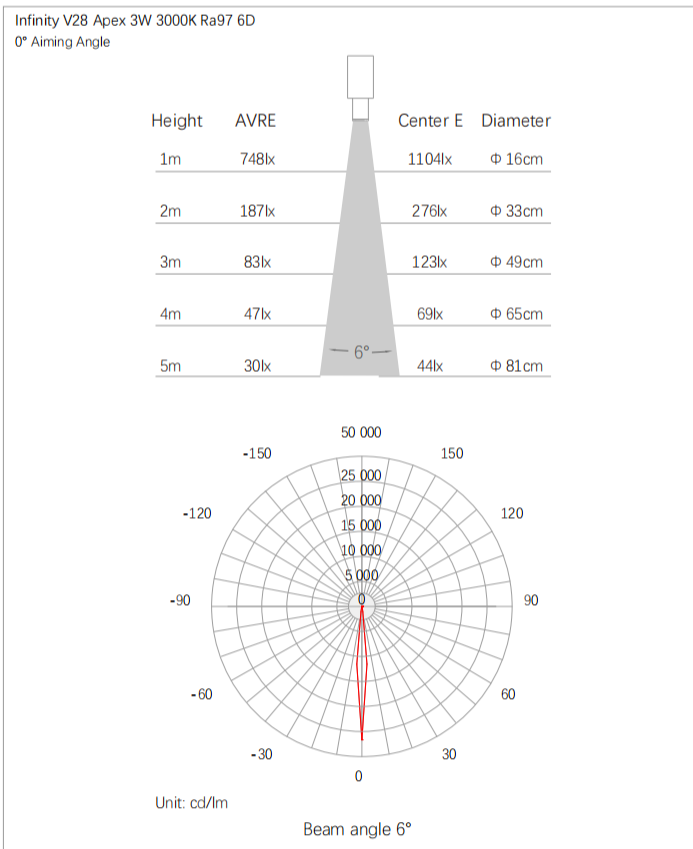
Product surface color : Silver, Black, Customized  
 Mounting: Embedded  
 Protection degree : IP20 (En60598)  
 Energy efficiency: EEIA



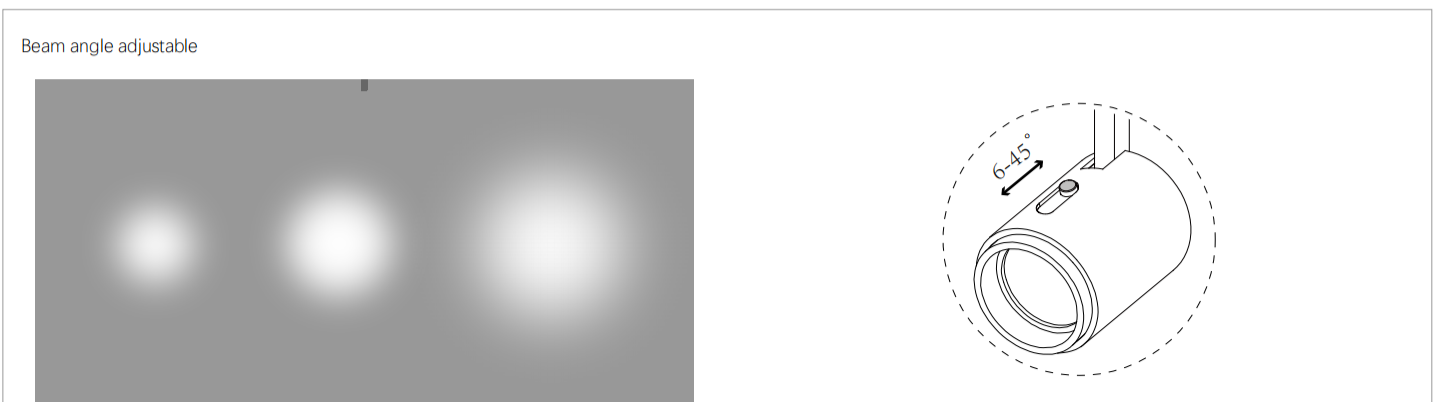
Radial distribution & Conical illuminance



D Distance To Fix From Wall or Floor  
 LX Initial illuminance Level At Center of Beam  
 L Beam Length (where candlepower drops to 50% of maximum)  
 W Beam Width (where candlepower drops to 50% of maximum)



Lighting distribution



## Specifications

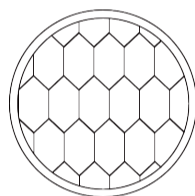
Model No.	Total Power (W)	LED Power (W)	Voltage	CRI (Ra)	Color Temp (K)	LED Flux (lm)	Beam Angle	IP Grade
Infinity V28 Apex	1	0.9	DC3V 700mA(MAX)	95	2700	100	6-45°	IP20
					3000	107		
					4000	114		
Infinity V28 Apex	2	1.8			2700	130		
					3000	142		
					4000	155		
Infinity V28 Apex	3	2.7			2700	200		
					3000	220		
					4000	230		

· Thermally stable typical lumens (±10%)

## Package information

Model No.	Packaging/Unit	Pieces/Unit	Dimensions (L x W x H)	Gross Weight	Volume
Infinity V28 Apex	Inner box	1	60x60x110mm	0.56kg	0.37dm <sup>3</sup>
	Outer box	50	330x330x250mm	29.5kg	27.23dm <sup>3</sup>

## Optional accessories



Honeycomb louver



Color coated lens